

Illustration 2.4.1b Inert Gas System - Engine Room

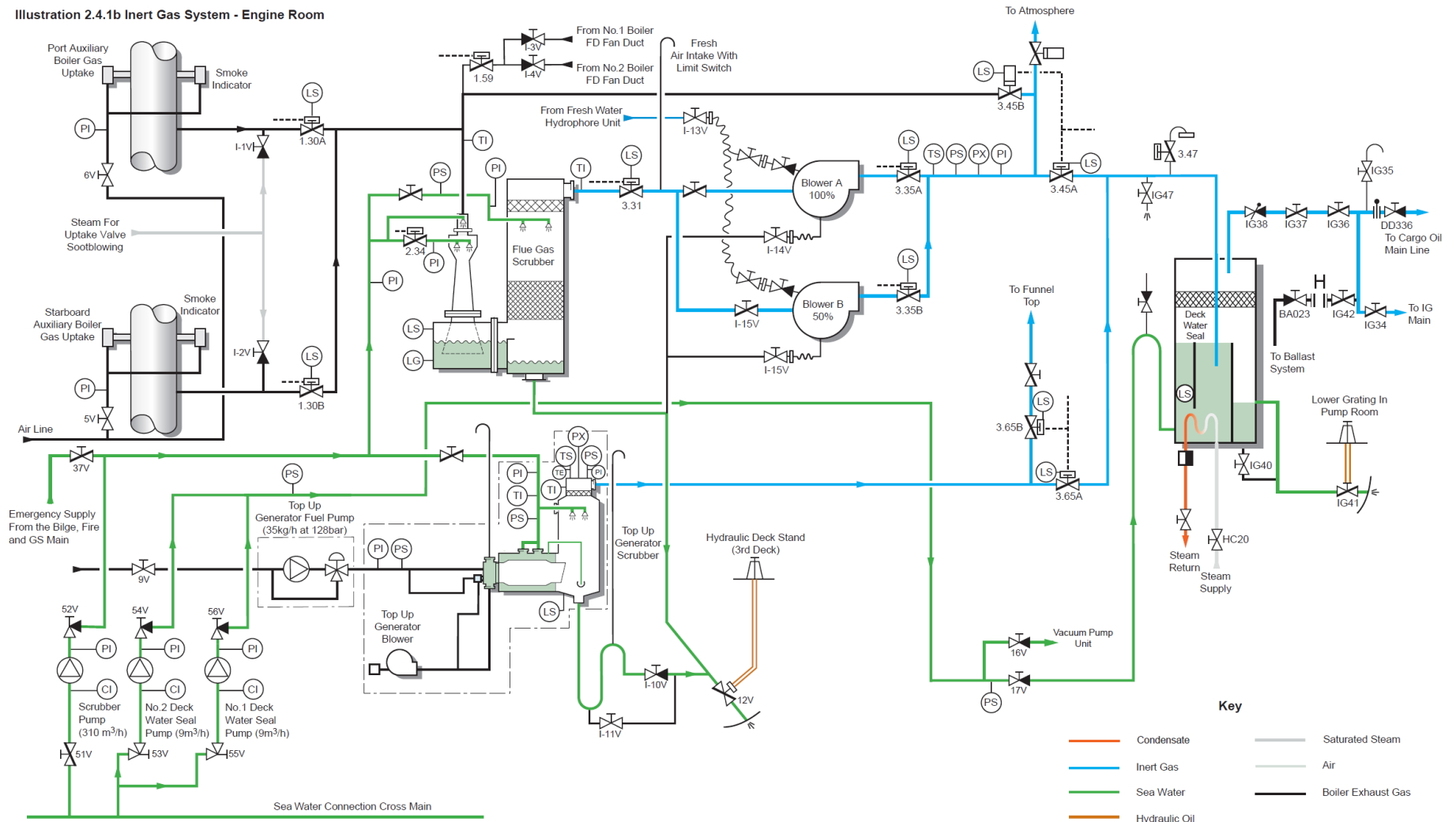


Illustration 2.4.1a Inert Gas System - Deck

